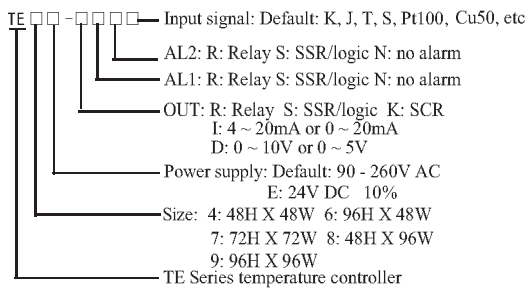


Features & Ordering Code

Features

- 4 digit dual display
- Universal input by K, J, T, S, Pt100, Cu50 set by software
- Can be with 2 relay or SSR alarms
- Can be with 4-20mA analogue output
- Fuzzy PID or ON/OFF control control output set by software

Ordering Code



TE4 48X48



TE9 96X96

TE7 72X72



Eg: TE4-IRR means the size is 48X48, with 4-20mA output, 2 relay alarm

Technical Data & Sizes

Technical Data

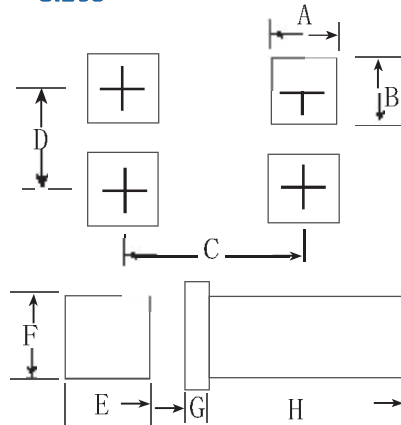
Power supply	TE4: 90 ~ 260V AC/DC; TE6/ 7/ 8/ 9: 220V/ 110V AC
Consumption	≤5VA
Display range	(-199)°C ~ 400°C; 0°C ~ 1200°C
Accuracy	0.3%F.S ± 2digit
Sampling rate	≤300ms
Control output	RELAY: Normally open contact, 250V AC/ 3A; 30V DC/ 3A, COSφ=1; SSR/LOGIC: TE4/ 6/ 8: 24V DC ± 2V/ 20mA TE7/ 9: 12V DC ± 1V/ 20mA, I: 4 ~ 20mA
Alarm	RELAY: Normally open contact: 250VAC/ 3A, 30V DC/ 3A COSφ=1
Input signal	TC
	K 0 ~ 1200°C
	J 0 ~ 1200°C
	T (-150)°C ~ 400°C (special order)
	S 0°C ~ 1600°C
RTD	Pt100 (-199)°C ~ 600°C
	Cu50 (-50)°C ~ 150°C
Others	Please mention when ordering
Withstand voltage	1500V Rms (Between power terminal and the housing)
Insulation strength	Min. 50MΩ 500V DC (Between power terminal & the housing)
Temperature	0 ~ 50°C (No freeze)
Storage Temperature	(-10)°C ~ 60°C (No freeze)
Humidity	35 ~ 85%RH
Weight	TE4: abt 250g; TE6/ 7/ 8/ 9: abt 350g



TE6 48X96



Sizes



Size Model	A	B	C	D	E	F	G	H
TE4	45 + 0.5	45 + 0.5	65	65	48	48	8	80
TE6	45.5 + 0.5	91 + 0.5	65	115	48	96	12	100
TE7	68 + 0.5	68 + 0.5	95	95	72	72	12	100
TE8	91 + 0.5	45 + 0.5	65	115	48	48	12	100
TE9	91 + 0.5	91 + 0.5	115	115	96	96	12	100

TE8 96X48



38 Section Street, Paarden Eiland, CAPE TOWN, 7405 South Africa
P O Box 334, Paarden Eiland, 7420 (Cape Town South Africa)

Tel: +27 21 511 4104
Fax: +27 21 511 9866
Mobile: +27 83 651 3289
Fax-2-email : +27 86 677 8634