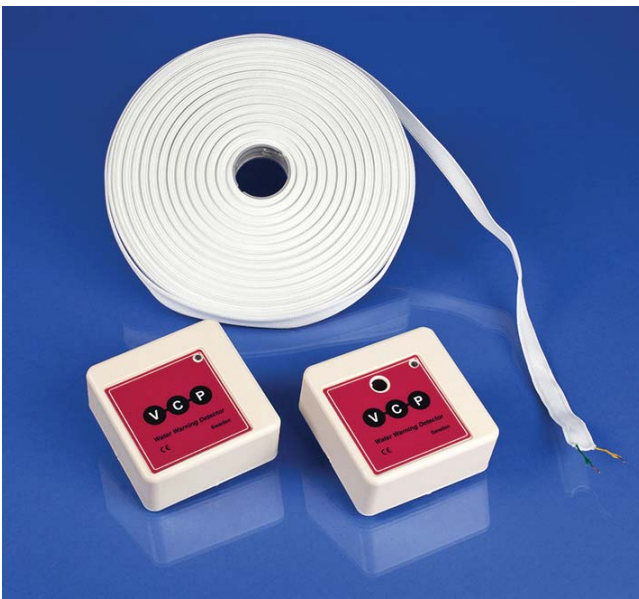




WWD 102N
without buzzer

WWD 103N
with buzzer



Water Detection Tape WDT
can be connected to Water Warning Detector WWD

Features

- **Early detection = Early warning**
- **Detection of water and moisture**
- **Mounting**
 - Direct on floor (WWD have 2 sensing pins under the unit)
 - On wall with external alarm band WST
- **Power supply 12-30 Vac/dc**
- **Relay output 1 A at 24Vdc**
- **1 second delay power on by alarm**
- **4 seconds delay after alarm off**
- **Power consumption**
 - no alarm 9 mA
 - alarm 30 mA
- **Buzzer/Sirene on WWD 103N (85 db)**
- **Plastic housing material with dimensions 95x95x 40 mm**
- **CE approval**

Applications

- Computer flooring
- Record rooms
- Engineering rooms
- Operating rooms
- Compressor rooms
- District heating pipes
- District cooling pipes
- Insulated piping in district heating chambers
- Rock shelters
- Warehouses

Protect your property, economy and time

Water leaks can cause great damage to your property.

Water leaks can cause large economic loss.

Water leaks can be time consuming.

Use VCP leak detection products to protect your property, economy and time

Order Code

WWD 102N Water Warning Detector
12-30 Vac/dc, relay output

WWD 103N Water Warning Detector
12-30 Vac/dc, relay output
with buzzer/sirene

Description

Water Warning Detectors WWD and Water Detection Tape WDT are used to prevent or minimize water damages

Water warning detector WWD can be mounted direct on floor to sense water and moisture with sensing pins under the unit or mounted on the wall with the external water detection tape WDT.

Water warning detector WWD have relay output.

The relay output for water warning leak detector WWD provides an alarm signal for connection to a BMS controller or remote alarm annunciation panel.

Power supply for water warning leak detector WWD is 12-24 Vac/dc

Water warning detector WWD 102N is without buzzer.
Water warning detector WWD 103N is with buzzer (audible alarm).

The water detection tape WDT is made of texturiced stockinet-knitted polyester in which parallel uninsulated wires of soft annealed copper are woven.

The water detection tape WDT indicating the presence of moisture or water/liquid between the wires.

The water warning detectors WWD is tested by placing a wet finger at the sensing pins under the unit.

Testing of the water warning detector WWD together with the water detection tape WDT is made by placing a wet finger at the end of the wires of the water detection tape WDT.

The LED in the front on the water warning detector WWD will light and the relay output will be activated.

Water warning Idetector WWD senses the change in conductivity when moisture or water is in contact with the sensing pins under the unit and when moisture or water is in contact with the external water detection tape WDT.

When moisture or water disapear, the water warning detector WWD will be reset by automatic.

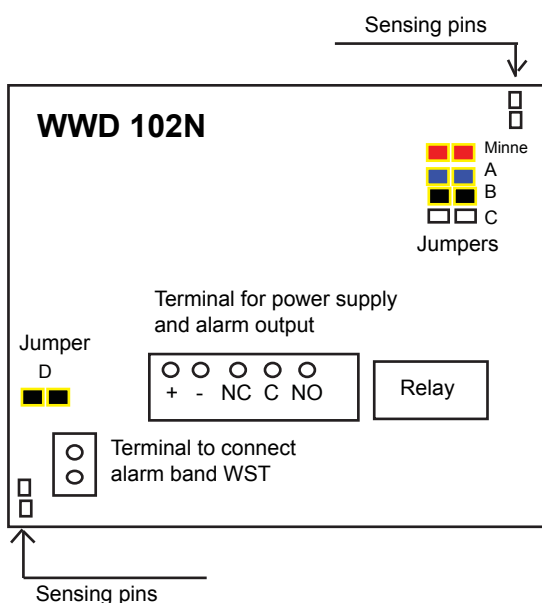
Water warning detectors WWD can be used together with water detection tape WDT.

Water warning detectors WWD can also be used as stand alone.

Water detection tape WDT can be used with other water warning detectors.

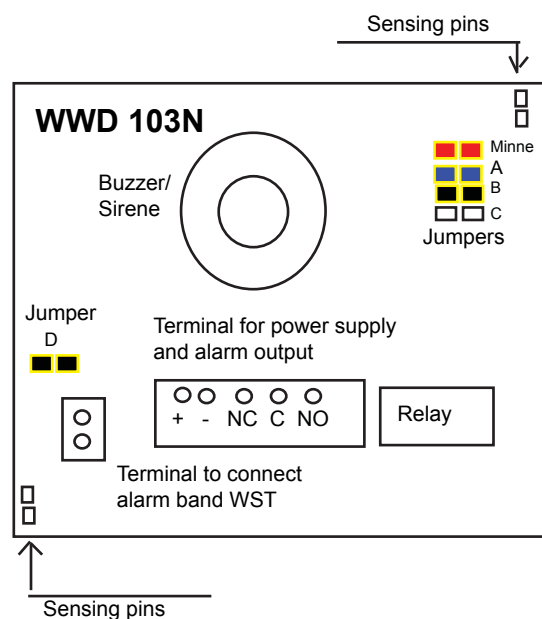
Electrical Connections

Jumper Clarifications



Jumpers clarifications for WWD 102N

- Minne (Memory):
Jumper off = No Memory.
Jumper on = After alarm the relay de-activate.
- Jumper for A:
(Not to be used for WWD 102N).
- Jumper for B (Normally Open or Normally Closed relay):
Jumper off = The relay activate by alarm (Normally Open).
Jumper on = The relay is Normally Closed and de-activate by alarm.
- Jumper for C:
(Not to be used.)
- Jumper for D (Normal or Reduced Sensitivity):
Jumper off = Normal sensitivity.
Jumper on = Reduced sensitivity.



Jumpers clarifications for WWD 103N

- Minne (Memory):
Jumper off = No Memory.
Jumper on = After alarm the relay de-activate.
- Jumper for A (Fixed or Pulsed signal):
Jumper off = Intermittent (pulsed) signal on the buzzer (sirene).
Jumper on = Fixed (constant) signal on the buzzer (sirene).
- Jumper for B (Normally Open or Normally Closed relay):
Jumper off = The relay activate by alarm (Normally Open).
Jumper on = The relay is Normally Closed and de-activate by alarm.
- Jumper for C = Not to be used.
- Jumper for D (Normal or Reduced Sensitivity):
Jumper off = Normal sensitivity.
Jumper on = Reduced sensitivity.