



WATCHLOG USB

USB PRESSURE & TEMPERATURE SENSORS

WLUSB

- Dual pressure & temperature output from each sensor
- View & record up to 500 times per second per sensor
- 25 bar, 160 bar, 400 bar & 700 bar sensors available from stock.
- Connect, view & record up to 8 sensors at once using standard USB hubs.

SECTORS

Industrial Hydraulics
Food & Beverage
Process
Pulp & paper
Mobile hydraulics

Every sensor comes with our Watchlog USB software for Windows® Desktop PCs, laptops & Tablets.





WATCHLOG USB

USB PRESSURE & TEMPERATURE SENSORS

Our Watchlog USB pressure and temperature sensor system is a quick and simple cost effective way to view and datalog pressure and temperature data in real time.

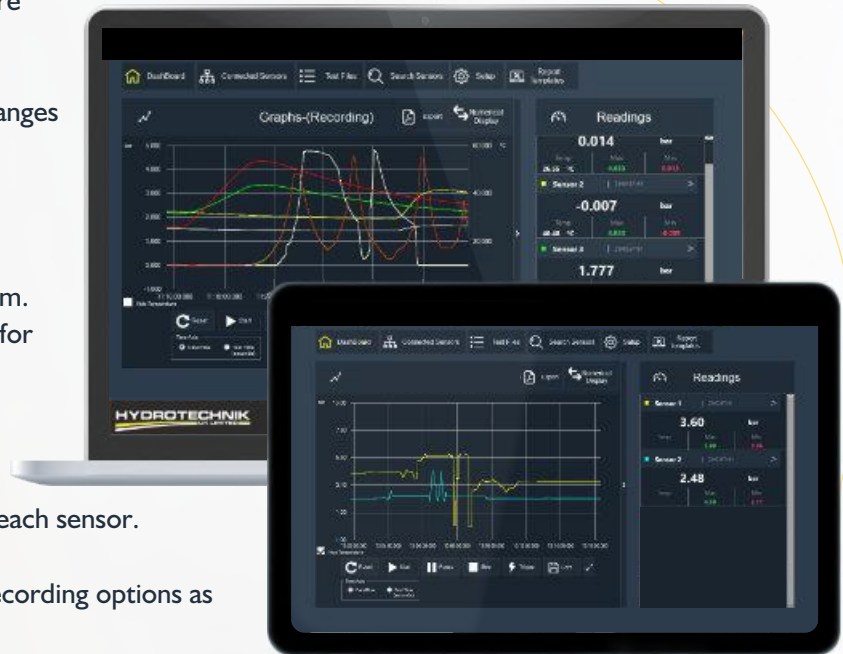
Sensors come in four standard pressure ranges from 0...25 bar up to 0...700 bar and also incorporate a temperature sensor with a measuring range of -40...85°C.

The cable comes at a standard length of 2m. 4-way USB connection hubs are available for purchase.

The free Watchlog USB software is capable of monitoring 8 sensors at one time and taking readings at 500 times for each sensor.

The software features manual or timed recording options as well as visual alarms and display.

Data can be viewed in graphical or numerical format and recorded data can be exported in PDF or CSV format. During tests graphical data can be interrogated by zooming and also adding annotations.



WLUSB CONNECTIVITY OVERVIEW





WATCHLOG USB

USB PRESSURE & TEMPERATURE SENSORS

TECHNICAL SPECIFICATIONS

Available sensor ranges

Pressure range *	Over pressure	Burst pressure
0...25 bar	100 bar	150 bar
0...160 bar	400 bar	600 bar
0...400 bar	750 bar	840 bar
0...700 bar	1200 bar	1500 bar

* Other pressure ranges available on request

Specifications for all pressure ranges

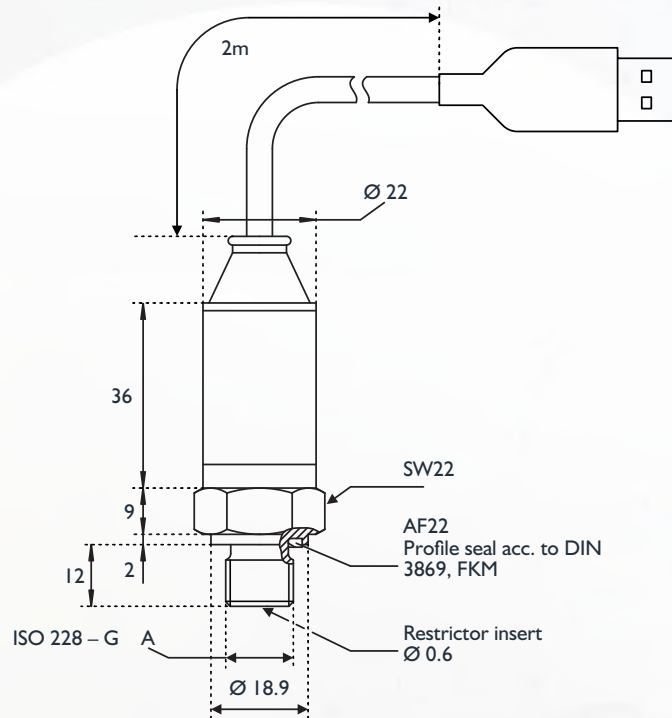
Specification	Detail
Pressure type	Gauge
Output signal	Specific USB command set, acc. SCPI
Total error (RT)	$\pm 0.5\%$ FS
Total error (-10°...+60°)	$\pm 1.5\%$ FS
Power supply (U _S)	5V
Current supply	500mA
Response time	2ms
Isolation resistivity to case	100M Ω
Operating temperature	-40...+85°C
Storage temperature	-40...+85°C
Weight	8...120g
Mounting direction	All directions
Wetted components	17-4PH stainless steel. No O-rings, no silicone oil.
Measuring volume	< 1mm ³
Pressure port	G1/4A Form E, HEX22
Electrical connection	Cable connector with USB Type A connector



WATCHLOG USB

USB PRESSURE & TEMPERATURE SENSORS

DRAWING



ORDER CODES

Watchlog USB pressure & temperature sensor

WLUSB-XXXX

Replace **XXXX** with below code for the required pressure range *

- 0025** = 0...25 bar
- 0160** = 0...160 bar
- 0400** = 0...400 bar
- 0700** = 0...700 bar

* Other pressure ranges available on request

Watchlog USB sensor accessories

WLUSB-HUB4

4-way USB connection hub



WLUSB-TAB10

Windows 10 smart tablet, 10" touchscreen, 64Gb memory, pre-loaded with Watchlog USB software



WLUSB-TAB10KEY

Detachable keyboard for Windows 10 smart tablet





WATCHLOG REPRESENTS A HUGE STEP IN THE PROVISION OF A SECURE POINT TO POINT USB AND WIRELESS TRANSMISSION OF SENSOR SIGNALS.



Watchlog USB is a new generation of sensors and datalogging solutions from Hydrotechnik UK using our Watchlog USB dual pressure & temperature with transmission rates of up to 500 times per second.



Watchlog Bluetooth® is a new generation of short range wireless measurement of pressures, designed to work with iOS and Android mobile devices as well as Windows tablets and PC's.



The **Watchlog Wireless** sensor system is our short to medium (up to 1.6km) range wireless monitoring option for up to 60 sensors at one time. Watchlog wireless is designed for pressure, temperature, level or flow sensors in applications where cabled sensors or power are not possible.



Watchlog Pro & Watchlog Vision has been developed to support wireless transmission of a huge range of sensors and signals over longer distances (up to 5km). Up to 60 sensors can transmit to one receiver which includes oil life, pressure/differential pressure, level and temperature, flow, force, CANbus and much more, for local, remote and cloud management.