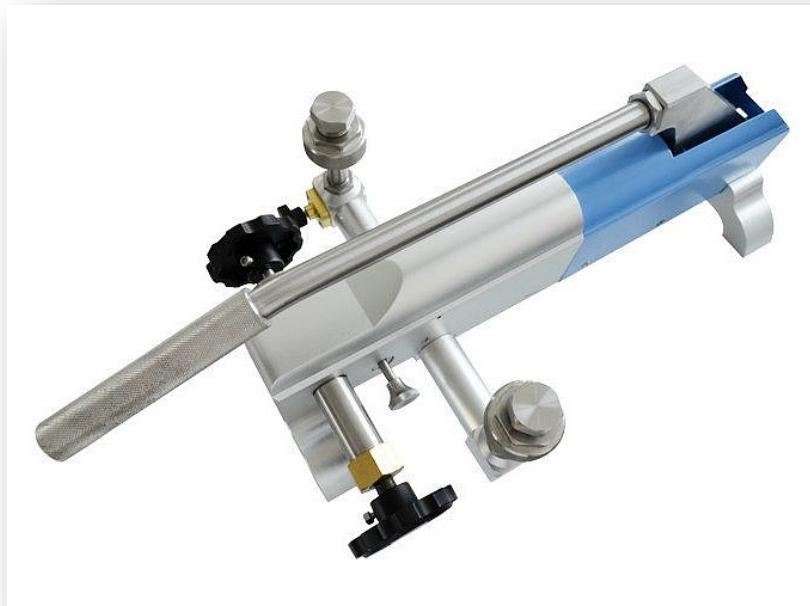




HS720 Pneumatic Comparator

The HS720 Pneumatic Pressure Comparison Pump is designed with a reverse valve, and generates pressure from a vacuum to 140bar. Provides pressure measurement for calibrating differential pressure transmitters, precision pressure gauges, general pressure gauges, and other pressure instruments.



Applications:

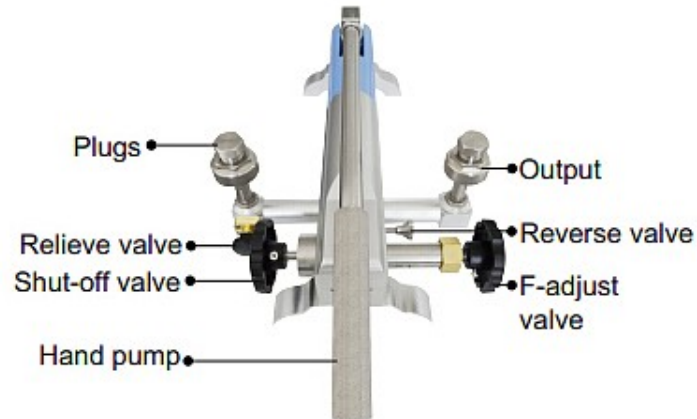
Best suited for use in the following industries/sectors:

- Power
- Chemical
- Petrol
- Metallurgy
- Metering
- Military

Features:

- Unique, user-friendly design
- Reverse valve
- Lead screw lever
- F-adjust valve 0.1mbar pressure resolution
- Built-in gas-oil isolator keeps impurities from building up
- Non-external pipe avoids effects of environmental changes





Specifications:

Generated Pressure Range	-0.95~140bar
Working Medium	Air
Adjust Resolution	0.1mbar
Material	Stainless steel/Aluminium body, Buna-N seals
Output Interface Connection	M20 x 1.5 (female)
Weight	6.5kg
Dimensions	380L x 198W x 140H (mm)