



## GTH001 Carbon Dioxide, Temperature & Humidity Datalogging Monitor

### Applications:

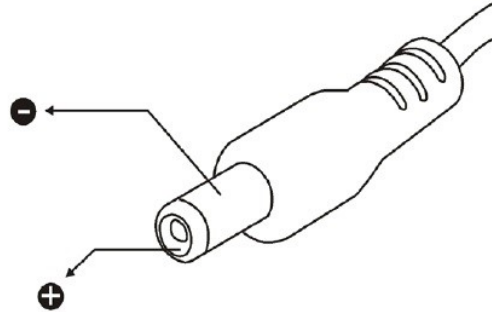
The GTH001 Carbon Dioxide, Temperature & Humidity Datalogging Monitor provides monitoring of Carbon Dioxide levels, Temperature & Humidity in building ventilation systems such as:

- Factories, Clean Rooms, Warehouses
- Ventilation control environments
- Laboratories

### Features:

- Large LED display
- 3-in-1 monitor for simultaneous Carbon Dioxide, Temperature and Humidity readings
- Wall-mount
- Time display and alarm function
- Temperature in °F and °C
- Backup battery (9V DC) allows continuous measuring during power disruptions





- Connection power cable AC transform DC 9V power supply (Attention power polarity)
- Spec.: voltage DC9V (9.0~12.0 VDC MAX)
- Current > 1000mA
- Plug: center pin is positive pole; housing is negative
- Diameter: 6.3mm, internal diameter: 2.0mm

Specifications:

Carbon Dioxide Test Range	0~9999ppm
Accuracy	±70ppm or ±5% of reading (0~2000ppm)
Temperature Test Range	-20~70°C/-4~158°F
Accuracy	±1°C (0~40°C/32~104°F)
Resolution	0.1°C/0.1°F (0~35°C/32~95°F)
Humidity Test Range	1~99% RH
Accuracy	±3% RH (20~80% RH at 25°C)
	±5% RH (<20%; >80% at 25°C)
Update Time	1s
Power Supply	AC to DC Adapter (9~12V/1A)
Dimensions	260 x 178 x 47mm
LED Display Dimensions	214 x 120mm
Weight	1000g