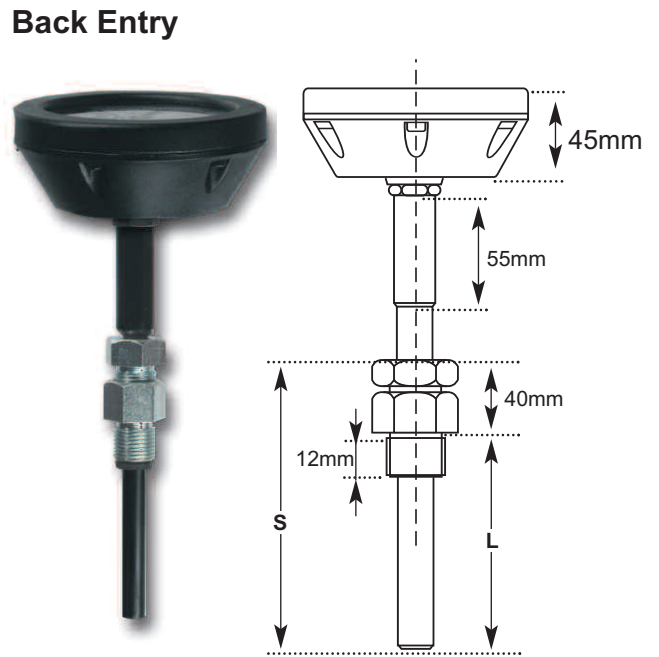
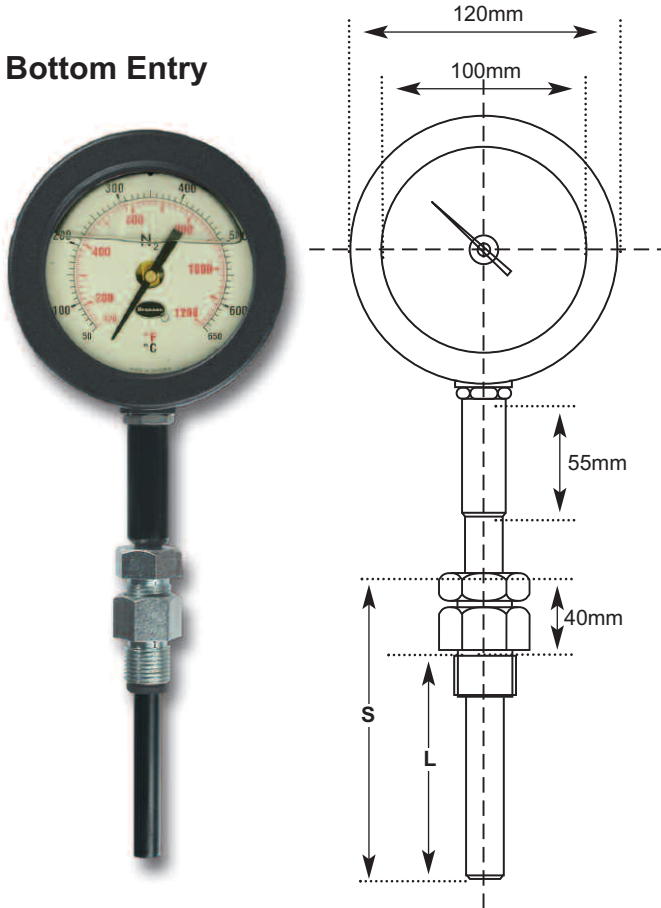


Diesel Engine Exhaust Gas

The Brannan Nitrogen filled thermometer is the most widely specified instrument for measuring exhaust gas temperatures and is fitted as original equipment by leading engine manufacturers. The Nitrogen filled system is both reliable and accurate as well as environmentally friendly. The instruments are protected against vibration using silicone oil to ensure the maximum life under the most severe conditions.



Sliding connections to suit 12mm stems are:

Thread 'G'	Product No
1/2"	39/237/0
3/4"	39/238/0

The following table identifies the most popular product codes.

Standard Product Numbers			
Stem Length 'L'	Stem Diameter 'D'	Product No	
		Bottom Entry	Back Entry
100mm	12mm	93/100/0	93/110/0
150mm	12mm	93/100/1	93/110/1
200mm	12mm	93/100/2	93/110/2
250mm	12mm	93/100/3	93/110/3
300mm	12mm	93/100/4	93/110/4
350mm	12mm	93/100/5	93/110/5
400mm	12mm	93/100/6	93/110/6
450mm	12mm	93/100/7	93/110/7
500mm	12mm	93/100/8	93/110/8

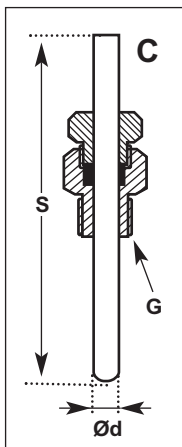
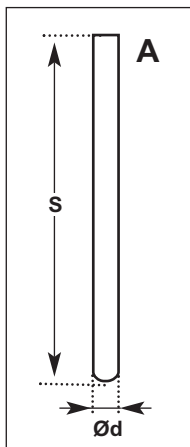
Diesel Engine Exhaust Gas

Standard Specifications

Temperature Range:	+50 to +650°C&F
Casing/Bezel:	Black painted die-cast aluminium 120mm diameter case = 100mm dial face (standard) 100mm diameter case = 80mm dial face (optional)
Max Working Temp:	Full scale value at continuous operation
Measuring System:	N ₂
Degree of Protection:	IP67
Mounting:	Bottom or back
Stem Diameter Options:	12, 13 or 16mm
Thermowells:	To fit Available in steel or stainless steel on request
Typical Sliding Union Connections:	Adjustable union - 1/2" for stem 12 or 13mm, 3/4" for 16mm in 316 stainless steel
Connection:	Type C unless specified

Options

Ranges:	0 to +120°C&F, 0 to +160°C&F, 0 to +200°C&F and 0 to +250°C&F,
Connections:	Other connections available on request as below.
Casing:	100mm case with 80mm face is available on request



Optional Connections

- A** = Plain stem
- C** = Sliding union 1/2" BSP or 3/4" BSP
- G** = Swivel nut 1/2" BSP or 3/4" BSP - not sealed
- GE** = Union nut 1/2" BSP or 3/4" BSP fixed position on stem - sealed
- GO** = Swivel connection with capped nut 1/2" BSP or 3/4" BSP or M18 x 1.5

Version **G** may be supplied with E nipple.
Version **GO** may be supplied with pocket.
L and S measurements to be stated on order.
Ød to be stated on order if any special diameter is requested.

