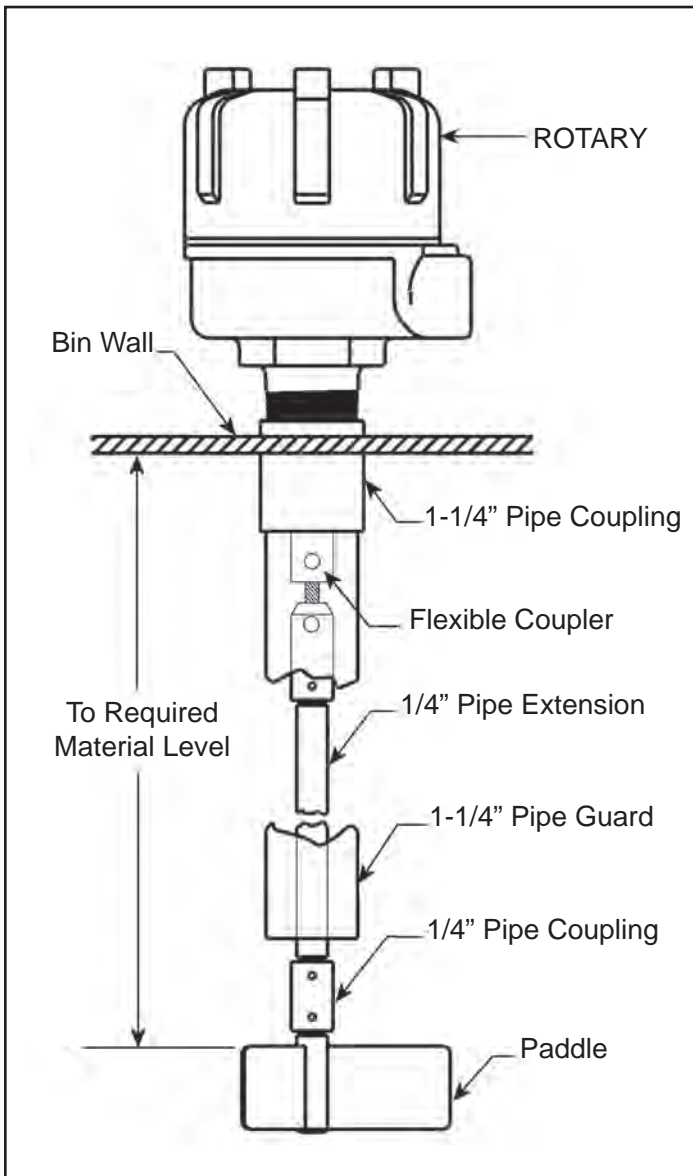


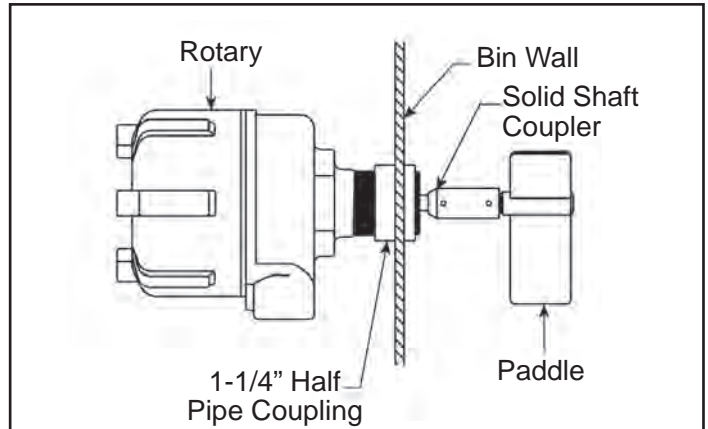
ROTARY





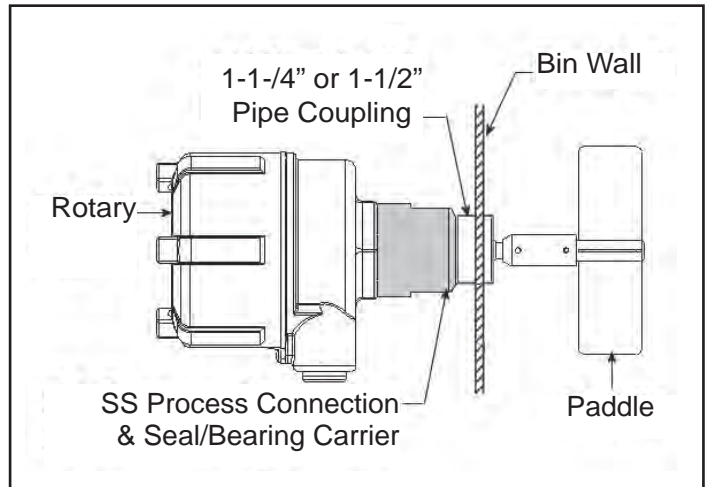
Standard Extended Vertical Mounted Rotary

Standard mounted rotary for straight vertical installations. Angled mounting plates are available for sloped roof installations. The pipe guards and extensions are available in both galvanized or stainless steel.



Standard Horizontal or Vertical Mounted Rotary

Standard mounted rotary for vertical, horizontal and angled installations



Standard Horizontal or Vertical Mounted Rotary with Optional SS Process Connection Bearing Carrier

The optional stainless steel process connection and seal/bearing carrier is used in corrosive applications. All parts in contact with the materials in the bin are stainless steel.

Configure Individual Rotary

Power - ATEX - Coupler - Ext - Guard - Paddle - Mounting

1 - 2 - 3 - 4 - 5 - 6 - 7

use x if none

1. Power Pac

BMRX 115
BMRX 230
BMRX 24 AC
BMRX 24 DC
MAX+ AC
MAX+ 24 DC

2. ATEX

EX
NO

3. Couplers

GRSS-1	GRPC-2
GRFC-1	GRPC-3
GRFS-1	GRPC-4
GRPC-1	BSA

4. Extensions

1/4" Gal. Extension	1/4" SS Extension
6G: 6"	6SS: 6"
12G: 12"	12SS: 12"
18G: 18"	18SS: 18"
24G: 24"	24SS: 24"
30G: 30"	30SS: 30"
36G: 36"	36SS: 36"
48G: 48"	48SS: 48"
60G: 60"	60SS: 60"
63G: 63"	72SS: 72"
72G: 72"	84SS: 84"
84G: 84"	

7. Mounting Plates

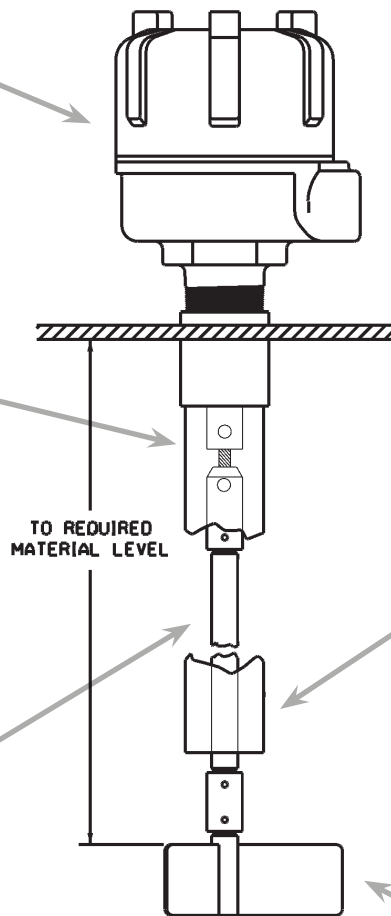
GRMP-1	GRMP-9
GRMP-3	GRMP-13
GRMP-14	GRMP-15
GRMP-2	GRMP-16
GRMP-4	

5. Guards

1-1/4" Gal. Guard	1-1/4" SS Guard
18GG: 18"	18SSG: 18"
24GG: 24"	24SSG: 24"
30GG: 30"	30SSG: 30"
36GG: 36"	36SSG: 36"
48GG: 48"	48SSG: 48"
60GG: 60"	60SSG: 60"
63GG: 63"	72SSG: 72"
72GG: 72"	84SSG: 84"
84GG: 84"	

6. Paddles

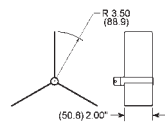
GRP-1	GRP-24	GRP-31
GRP-2	GRP-25	GRP-34
GRP-3	GRP-26	GRP-35
GRP-11	GRP-27	GRP-36
GRP-12	GRP-28	GRP-37
GRP-22	GRP-29	
GRP-23	GRP-30	



Order Code	Description	List Price	Part Number
BMRX Power Packs Ordered Individually			
BMRX 115	BMRX-115-VAC - Rotary level indicator power pac featuring a triple-thread, screw-off cover, dual conduit entries, DPDT relay contacts, selectable fail-safe protection, FDA recognized powder coat finish, hazardous location approval, and C/US listed for Class I, Groups C & D and Class II, Groups E, F & G.	Call for Price	730-0504
BMRX 230	BMRX-230-VAC - Rotary level indicator power pac featuring a triple-thread, screw-off cover, dual conduit entries, DPDT relay contacts, selectable fail-safe protection, FDA recognized powder coat finish, hazardous location approval, and C/US listed for Class I, Groups C & D and Class II, Groups E, F & G.	Call for Price	730-0503
BMRX 24 AC	BMRX-24-VAC - Rotary level indicator power pac featuring a triple-thread, screw-off cover, dual conduit entries, DPDT relay contacts, selectable fail-safe protection, FDA recognized powder coat finish, hazardous location approval, and C/US listed for Class I, Groups C & D and Class II, Groups E, F & G.	Call for Price	730-0505
BMRX 24 DC	BMRX-24DC - BMRX rotary level indicator 12 to 24 VDC with dual conduit entries, DPDT relay contacts, selectable fail-safe protection, and FDA recognized powder coat finish, hazardous location approval, and C/US listed for Class I, Groups C & D and Class II, Groups E, F & G.	Call for Price	730-0661
BMRX ATEX Option			
EX	To add the ATEX option, select the BMRX power pac part number and add -EX to the end.		
MAXIMA+ Power Packs Ordered Individually			
MAXIMA+ AC	MAXIMA+24/115/230-VAC - Fail-safe rotary level indicator power pac with hazardous location approval, C/US listed for Class II, Groups E, F, & G and a visual LED status light monitoring paddle rotation, paddle covered, and fault conditions. Features a triple-thread, screw-off cover, dual conduit entries, DPDT relay contacts, fail-safe protection, SPDT normal and fault relay contact and FDA recognized powder coat finish.	Call for Price	730-0528
MAXIMA+ 24 DC	MAXIMA+24DC - MAXIMA+ rotary level indicator 12 to 24 VDC with dual conduit entries, DPDT relay contacts, selectable fail-safe protection, and FDA recognized powder coat finish, hazardous location approval, and C/US listed for Class I, Groups C & D and Class II, Groups E, F & G.	Call for Price	730-0662
MAXIMA+ ATEX Option			
EX	To add the ATEX option, select the MAXIMA+ power pac part number and add -EX to the end.		
Shaft Couplers Ordered Individually			
GRSS-1	GRSS-1 - Solid shaft, stainless steel side mount coupler	Call for Price	299-0004
GRFC-1	GRFC-1 - Flexible stainless steel top mount coupler	Call for Price	416-0155
BSA	BSA - Bindicator stainless steel shaft adapter	Call for Price	416-0294
GRFS-1	GRFS-1 - Molded neoprene, flexible shaft, stainless steel top mount coupler	Call for Price	416-0283
GRPC-1	GRPC-1 - 1-1/4" Stainless steel process connection for 1" coupled pipe guards	Call for Price	175-0196
GRPC-2	GRPC-2 - 1-1/2" Stainless steel process connection for 1" coupled pipe guards	Call for Price	175-0198
GRPC-3	GRPC-3 - 1-1/4" Aluminum process connection for 1" coupled pipe guards	Call for Price	175-0197
GRPC-4	GRPC-4 - 1-1/2" Aluminum process connection for 1" coupled pipe guards	Call for Price	175-0199
Side Mounting Plates Ordered Individually			
GRMP-1	GRMP-1 0° Mild carbon steel half coupling with black neoprene gasket	Call for Price	730-0020
GRMP-3	GRMP-3 0° Stainless steel half coupling mounting plate with black neoprene gasket	Call for Price	730-0021
GRMP-14	GRMP-14 0° Mild carbon steel half coupling mounting plate with white silicone gasket	Call for Price	730-0567
Top Mounting Plates Ordered Individually			
GRMP-2	GRMP-2 0° Mild carbon steel full coupling, powder coated with black neoprene gasket	Call for Price	730-0022
GRMP-4	GRMP-4 0° Stainless steel full coupling with black neoprene gasket	Call for Price	730-0023
GRMP-15	GRMP-15 0° Stainless steel full coupling with white silicone gasket	Call for Price	730-0568
GRMP-9	GRMP-9 10° Mild carbon steel full coupling, powder coated with black neoprene gasket	Call for Price	730-0489
GRMP-16	GRMP-16 20° Mild carbon steel full coupling, powder coated with black neoprene gasket	Call for Price	730-0663
GRMP-13	GRMP-13 30° Mild carbon steel full coupling, powder coated with black neoprene gasket	Call for Price	730-0508

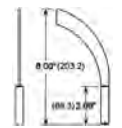
GRP-1

Stainless steel for light materials, 3-vane paddle, turns in 7" diameter.



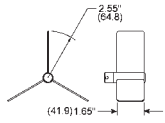
GRP-27

Direct connect version of GRP-23 paddle for medium materials. Insertable, single bayonet style, stainless steel, blade is 1/8" thick and 1" wide (side mounting only).



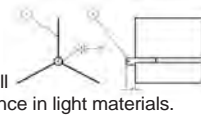
GRP-2

Stainless steel for medium materials, 3-vane paddle, turns in 5" diameter.



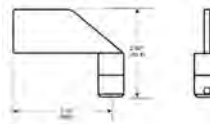
GRP-28

Stainless steel for extremely light materials, 3-vane, 7" diameter for added resistance, blades are 5" tall and 1/16" thick to increase resistance in light materials.



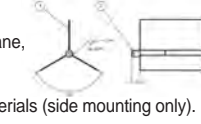
GRP-3

Stainless steel for heavy materials, single vane, turns in 5" diameter, insertable through a 1-1/4" or 1-1/2" NPT opening.



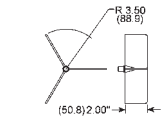
GRP-29

Direct connect version of GRP-25, 3-vane, stainless steel paddle for very light materials, paddles are 5" tall and 1/16" thick to increase resistance in light materials (side mounting only).



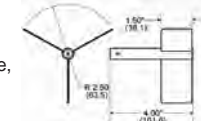
GRP-11

Economical nylon paddle for light materials, 3-vane paddle, turns in 7" diameter.



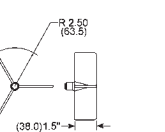
GRP-30

Direct connect version of GRP-2 for medium materials, 3-vane paddle, stainless steel, turns in 5" diameter, (side mounting only).



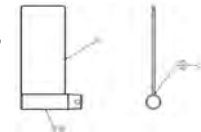
GRP-12

Economical nylon paddle for medium materials 3-vane paddle, turns in 5" diameter.



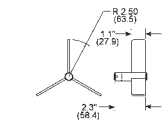
GRP-31

Stainless steel, single-bladed, 3-1/4" long for heavy materials, turns in 6-1/2" diameter, blade is 1/8" thick and 1.63" wide.



GRP-22

Stainless steel for heavy materials, 3-vane paddle, turns in 5" diameter.



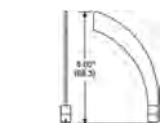
GRP-34

Stainless steel, single-bladed, direct connect, insertable paddle, folds to insert through a 1-1/4" or 1-1/2" NPT opening, turns in 7-1/2" diameter. Paddle blades are 1-1/2" wide.



GRP-23

Stainless steel single bayonet style paddle, turns in 5" diameter. Insertable through a 1-1/4" or 1-1/2" NPT opening.



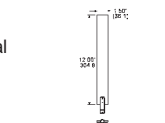
GRP-35

Stainless steel, double-bladed, direct connect, insertable paddle, folds to insert through a 1-1/4" or 1-1/2" NPT opening, turns in 7-1/2" diameter, paddles blades are 1-1/2" wide.



GRP-24

12" belt paddle for use in heavy material with large particulate size such as rock, coal or aggregate.



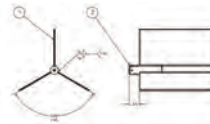
GRP-36

Stainless steel, single-bladed, threaded, insertable paddle, folds to insert through a 1-1/4" or 1-1/2" NPT opening, turns in 7-1/2" diameter, paddles blades are 1-1/2" wide.



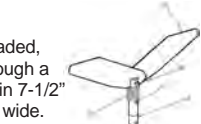
GRP-25

Stainless steel for very light materials, 3-vane, paddles are 5" tall and 1/16" thick to increase resistance in light materials.



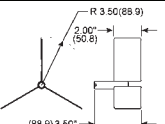
GRP-37

Stainless steel, double-bladed, threaded, insertable paddle, folds to insert through a 1-1/4" or 1-1/2" NPT opening, turns in 7-1/2" diameter, paddles blades are 1-1/2" wide.



GRP-26

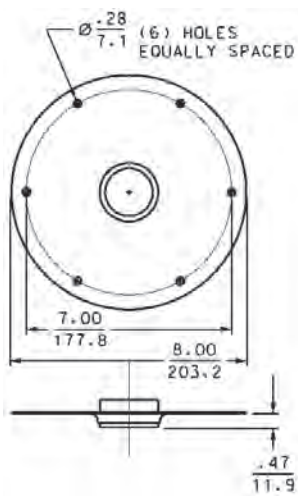
Direct connect version of GRP-1 for light materials, 3-vane, stainless steel, 7" diameter with blades that are 2" wide (side mounting only).



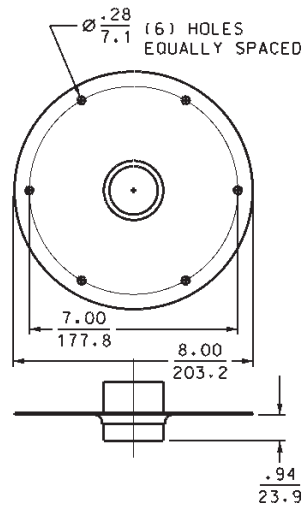
Order Code	Description	List Price	Part Number
Paddles Ordered Individually			
GRP-11	GRP-11 - High strength nylon paddle for lightweight materials, triple-bladed paddle turns in a 7" diameter, blades are 2" wide	Call for Price	299-0009
GRP-12	GRP-12 - High strength nylon paddle for average weight materials, triple-bladed paddle turns in a 5" diameter	Call for Price	299-0010
GRP-1	GRP-1 - Triple-bladed, stainless steel paddle for light weight materials, paddle turns in a 7" diameter, blades are 2" wide	Call for Price	416-0161
GRP-2	GRP-2 - Triple-bladed, stainless steel paddle for average weight materials, paddle turns in a 5" diameter, blades are 1-1/2" wide	Call for Price	416-0152
GRP-3	GRP-3 - Single-blade, stainless steel paddle for average to heavy weight materials, paddle is 2-1/2" long and turns in a 5" diameter, insertable paddle blade is 1/8" thick and 1" wide	Call for Price	416-0153
GRP-22	GRP-22 - Triple-bladed, stainless steel paddle for average to heavy weight materials, turns in a 5" diameter, paddle blades are 1/8" thick and 1" wide	Call for Price	416-0160
GRP-23	GRP-23 - Single bayonet blade, stainless steel paddle for high level control in light and medium materials and low level control in light materials, insertable paddle blade is 1/8" thick and 1" wide	Call for Price	416-0154
GRP-24	GRP-24 - 12" Belt paddle for high level control in heavy materials with large particle size	Call for Price	416-0259
GRP-25	GRP-25 - Triple-bladed, stainless steel paddle for very light materials, paddle turns in a 5" diameter, blades are 5" tall and 1/16" thick	Call for Price	416-0261
GRP-26	GRP-26 - Triple-bladed, stainless steel paddle for light weight materials, paddle turns in a 7" diameter, blades are 2" wide, direct connect paddle that eliminates the need for GRSS-1 coupler	Call for Price	416-0265
GRP-27	GRP-27 - Single bayonet blade, stainless steel paddle for high level control in light and medium materials and low level control in light materials, insertable paddle blade is 1/8" thick and 1" wide, direct connect paddle that eliminates the need for GRSS-1 coupler	Call for Price	416-0266
GRP-28	GRP-28 - Triple-bladed, stainless steel paddle for extremely light materials, paddle turns in a 7" diameter, blades are 5" tall and 1/16" thick	Call for Price	416-0336
GRP-29	GRP-29 - Triple-bladed, stainless steel paddle for very light materials, paddle turns in a 5" diameter, blades are 5" tall and 1/16" thick, direct connect paddle that eliminates the need for GRSS-1 coupler	Call for Price	416-0430
GRP-30	GRP-30 - Triple-bladed, stainless steel paddle for average weight materials, paddle turns in a 5" diameter, blades are 1-1/2" wide, direct connect paddle that eliminates the need for GRSS-1 coupler	Call for Price	416-0100
GRP-31	GRP-31 - Single-bladed, stainless steel paddle for medium to heavy materials, paddle turns in a 6.5" diameter, blade is 3.25" long, 1.63" wide and 1/8" thick	Call for Price	416-0487
GRP-34	GRP-34 - Folding, single-bladed, insertable paddle for medium materials will fold to insert through a 1-1/4" or 1-1/2" process connection, turns in a 7.5" diameter, blades are 1-1/2" wide, direct connect paddle that eliminates the need for GRSS-1 coupler	Call for Price	416-0513
GRP-35	GRP-35 - Folding, double-bladed, insertable paddle for medium materials will fold to insert through a 1-1/4" or 1-1/2" process connection, turns in a 7.5" diameter, blades are 1-1/2" wide, direct connect paddle that eliminates the need for GRSS-1 coupler	Call for Price	416-0514
GRP-36	GRP-36 - Threaded, folding, single-bladed, insertable paddle for medium materials will fold to insert through a 1-1/4" or 1-1/2" process connection, turns in a 7.5" diameter, blades are 1-1/2" wide, for use with standard threaded coupler	Call for Price	416-0556
GRP-37	GRP-37 - Threaded, folding, double-bladed, insertable paddle for medium materials will fold to insert through a 1-1/4" or 1-1/2" process connection, turns in a 7.5" diameter, blades are 1-1/2" wide, for use with standard threaded coupler	Call for Price	416-0557

Mounting Plates

Mounting plates allow the rotary units to be mounted from the outside of a vessel on a curved or flat surface. A half coupling mounting plate is used in side mount installations. A full coupling mounting plate is for use in top mount installations where a shaft extension and shaft guards are required. Both mounting plates are available in powder coated carbon steel and stainless steel for use in corrosive environments.



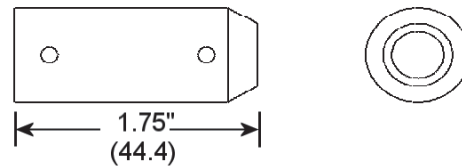
Half Coupling Mounting Plate



Full Coupling Mounting Plate

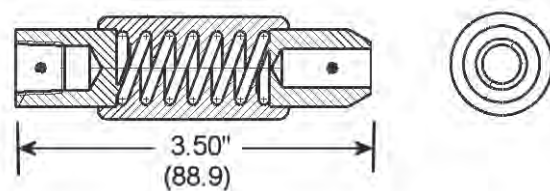
Solid Shaft Coupler

A short solid shaft coupler should be used in side mount installations.



Flexible Shaft Coupler

The flexible coupler should be used in top mount installations to absorb side loads and protect the internal workings of the unit.



Order Code	Description	List Price	Part Number
1/4" Galvanized Shaft Extension			
6G	6" x 1/4" Galvanized shaft extension, includes paddle coupling	Call for Price	299-0407
12G	12" x 1/4" Galvanized shaft extension, includes paddle coupling	Call for Price	299-0408
18G	18" x 1/4" Galvanized shaft extension, includes paddle coupling	Call for Price	299-0409
24G	24" x 1/4" Galvanized shaft extension, includes paddle coupling	Call for Price	299-0410
30G	30" x 1/4" Galvanized shaft extension, includes paddle coupling	Call for Price	299-0682
35G	36" x 1/4" Galvanized shaft extension, includes paddle coupling	Call for Price	299-0411
48G	48" x 1/4" Galvanized shaft extension, includes paddle coupling	Call for Price	299-0412
60G	60" x 1/4" Galvanized shaft extension, includes paddle coupling	Call for Price	299-0609
63G	63" x 1/4" Galvanized shaft extension, includes paddle coupling	Call for Price	299-0610
72G	72" x 1/4" Galvanized shaft extension, includes paddle coupling	Call for Price	299-0611
84G	84" x 1/4" Galvanized shaft extension, includes paddle coupling	Call for Price	299-0612
1/4" Stainless Steel Shaft Extension			
6SS	6" x 1/4" Stainless steel shaft extension, includes paddle coupling	Call for Price	299-0413
12SS	12" x 1/4" Stainless steel shaft extension, includes paddle coupling	Call for Price	299-0414
18SS	18" x 1/4" Stainless steel shaft extension, includes paddle coupling	Call for Price	299-0415
24SS	24" x 1/4" Stainless steel shaft extension, includes paddle coupling	Call for Price	299-0416
30SS	30" x 1/4" Stainless steel shaft extension, includes paddle coupling	Call for Price	299-0735
36SS	36" x 1/4" Stainless steel shaft extension, includes paddle coupling	Call for Price	299-0417
48SS	48" x 1/4" Stainless steel shaft extension, includes paddle coupling	Call for Price	299-0418
60SS	60" x 1/4" Stainless steel shaft extension, includes paddle coupling	Call for Price	299-0634
72SS	72" x 1/4" Stainless steel shaft extension, includes paddle coupling	Call for Price	299-0636
84SS	84" x 1/4" Stainless steel shaft extension, includes paddle coupling	Call for Price	299-0637
1-1/4" Galvanized Shaft Guard			
18GG	18" x 1-1/4" Galvanized shaft guard	Call for Price	299-0681
24GG	24" x 1-1/4" Galvanized shaft guard	Call for Price	299-0419
30GG	30" x 1-1/4" Galvanized shaft guard	Call for Price	299-0736
36GG	36" x 1-1/4" Galvanized shaft guard	Call for Price	299-0420
48GG	48" x 1-1/4" Galvanized shaft guard	Call for Price	299-0421
60GG	60" x 1-1/4" Galvanized shaft guard	Call for Price	299-0613
63GG	63" x 1-1/4" Galvanized shaft guard	Call for Price	299-0614
72GG	72" x 1-1/4" Galvanized shaft guard	Call for Price	299-0615
84GG	84" x 1-1/4" Galvanized shaft guard	Call for Price	299-0616
1-1/4" Stainless Steel Shaft Guard			
18SSG	18" x 1-1/4" Stainless steel shaft guard	Call for Price	299-0737
24SSG	24" x 1-1/4" Stainless steel shaft guard	Call for Price	299-0422
30SSG	30" x 1-1/4" Stainless steel shaft guard	Call for Price	299-0738
36SSG	36" x 1-1/4" Stainless steel shaft guard	Call for Price	299-0423
48SSG	48" x 1-1/4" Stainless steel shaft guard	Call for Price	299-0424
60SSG	60" x 1-1/4" Stainless steel shaft guard	Call for Price	299-0638
63SSG	63" x 1-1/4" Stainless steel shaft guard	Call for Price	299-0639
72SSG	72" x 1-1/4" Stainless steel shaft guard	Call for Price	299-0640
84SSG	84" x 1-1/4" Stainless steel shaft guard	Call for Price	299-0641

- Any shaft extension over 24" should include a shaft guard.
- Maximum available single piece length is 72". Maximum coupled length is 12'.
- Extension / guard lengths greater than 72" must be ordered in multiple sections to reach the desired length.
- When joining multiple pipe guards, use either 201-9010 galvanized coupling or 201-9033 stainless steel coupling.

Vertical Mounted Flexible Hanging Rotary Extension



Vertical
Mounted
Flexible
Hanging
Rotary
Extension



Order Code	Description	List Price	Part Number
Custom Shaft Extensions & Guards			
	Inches of 1/4" Galvanized shaft extension, includes paddle coupling, custom length.	Call for Price	999-1000
	Inches of 1-1/4" Galvanized guard pipe, custom length.	Call for Price	999-1002
	Inches of 1/4" Stainless steel shaft extension, includes paddle coupling, custom length.	Call for Price	999-1001
	Inches of 1-1/4" Stainless steel guard pipe, custom length.	Call for Price	999-1003
	1/4" Aluminum NPT female coupler to attach paddle to shaft extensions or shaft extensions together	Call for Price	201-9028
	1/4" SS NPT female coupler to attach paddle to shaft extensions or shaft extensions together	Call for Price	201-9029
	1-1/4" Galvanized NPT female coupler to attach guard pipes together	Call for Price	201-9010
	1-1/4" Stainless steel NPT female coupler to attach guard pipes together	Call for Price	201-9033
	Adjustable rotary mount	Call for Price	416-0641

1. Minimum 6" billinh length on extensions and guards.
2. 8" UPS maximum shipping length.

Flexible Hanging Rotary Extension for Vertical Mounting			
	ft. of vertical mounted flexible hanging rotary extension, single flexible \varnothing 5/16" (8 mm) 316 stainless steel cable with counterweight and coupler to attach power pac shaft. Counterweight includes shaft to connect paddle. Custom length, maximum length 14'.	Call for Price	530-0749

Pipe Extension Horizontal

Figure 1

Figure 2

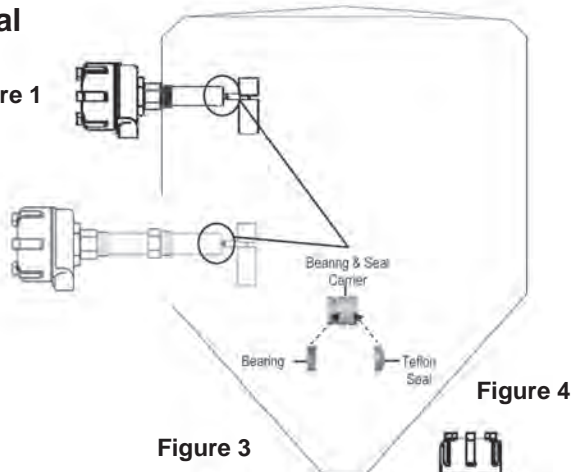


Figure 4

Figure 3

Pipe Extension Vertical

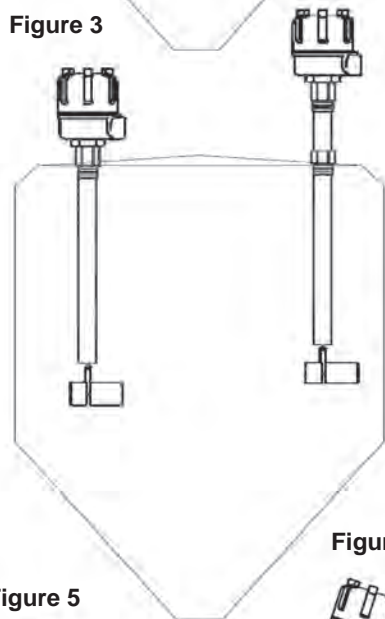
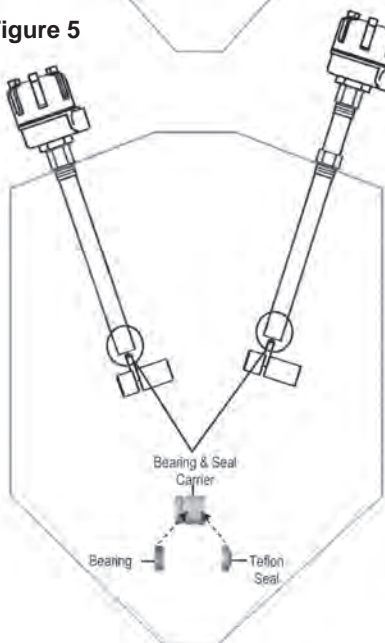


Figure 6

Figure 5

Pipe Extension Vertical or Angled

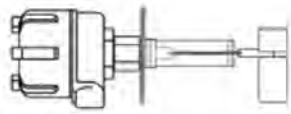


This extension was designed for horizontal applications that need the paddle extended from 6 to 12 inches from the vessel sidewall without compromising any strength. A bearing and shaft seal are at the shaft guard end to center the shaft extension and prevent material from getting up into shaft guard. This unit can also be installed in angled hoppers or vertically from the top. A single vane folding insertable paddle is recommended. This paddle will collapse to fit through a standard 1-1/4" or 1-1/2" process connection from outside the vessel, eliminating the need to cut large holes or go into the vessel. A heat tube is available for high temperature applications.

This extension was designed to extend vertically with a 1" shaft guard and 1/4" shaft extension. The shaft guard is coupled directly into the process connection so it can be mounted without having to use a full coupling mounting plate. A double vane folding insertable paddle is recommended. This paddle will collapse to fit through a standard 1-1/4" or 1-1/2" process connection from outside the vessel, eliminating the need to cut large holes or gain access into the vessel. It also allows you to simply drop in a rotary where another kind of technology may not be working well in your application. A heat tube is available for high temperature applications.

This extension was designed for angled vertical applications. A bearing and shaft seal are at the shaft guard end to center the shaft extension and prevent material from getting up into shaft guard. The shaft guard is coupled directly into the process connection so it can be mounted without having to use a full coupling mounting plate. A double or single vane folding insertable paddle is recommended. This paddle will collapse to fit through a standard 1-1/4" or 1-1/2" process connection from outside the vessel, eliminating the need to cut large holes or gain access into the vessel. A heat tube is available for high temperature applications.

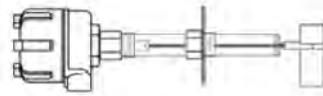
Figure 1



Extended Horizontal or Vertical Mounted Rotary with Seal and Bearing at Tube End

Extended rotary with 1" protection tube for vertical, horizontal and angled installations. Comes in 6", 8", 10", or 12" fixed insertion lengths.

Figure 2



Extended Horizontal or Vertical Mounted Rotary with Seal and Bearing at Tube End and Heat Tube

Extended rotary with 1" protection tube and heat tube for high temp. vertical, horizontal and angled installations. Heat tube comes in 8" or 12" lengths. Protection tube comes in 6", 8", 10" or 12" fixed insertion lengths.

Figure 3



Coupled Extended Vertical Mounted Rotary without Seal and Bearing at Tube End

Extended rotary with 1" shaft guard for straight vertical installations. The shaft guard is coupled directly into the process connection so it can be inserted through a 1-1/4" or 1-1/2" fitting.

Figure 4



Coupled Extended Vertical Mounted Rotary without Seal and Bearing at Tube End and Heat Tube

Extended rotary with 1" shaft guard and heat tube for high temp. Straight vertical installations. The shaft guard is coupled directly into the process connection so it can be inserted through a 1-1/4" or 1-1/2" fitting.

Figure 5



Coupled Extended Vertical Mounted Rotary with Seal and Bearing at Tube End

Extended rotary with 1" shaft guard for straight vertical and angled installations. The shaft guard is coupled directly into the process connection so it can be inserted through a 1-1/4" or 1-1/2" fitting.

Figure 6

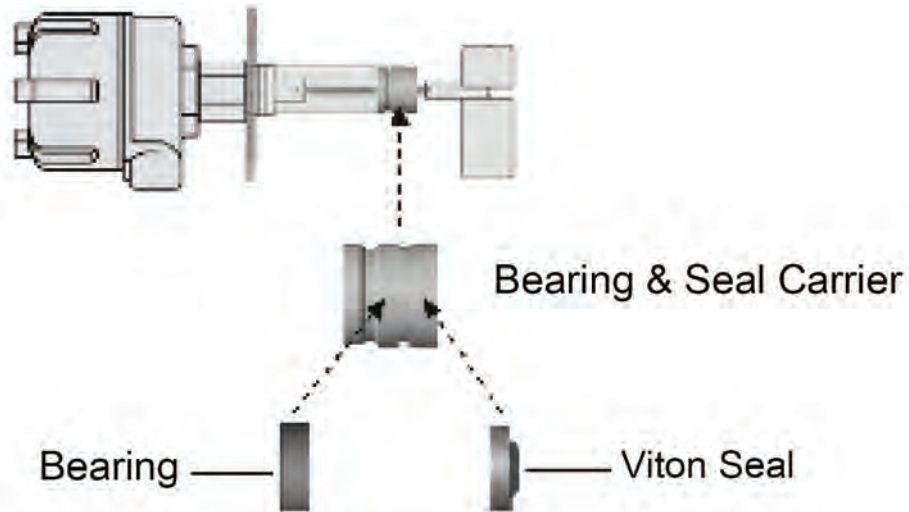


Coupled Extended Vertical Mounted Rotary with Seal and Bearing at Tube End and Heat Tube

Extended rotary with 1" protection tube and heat tube for high temp. Straight vertical and angled installations. The shaft guard is coupled directly into the process connection so it can be inserted through a 1-1/4" or 1-1/2" fitting.

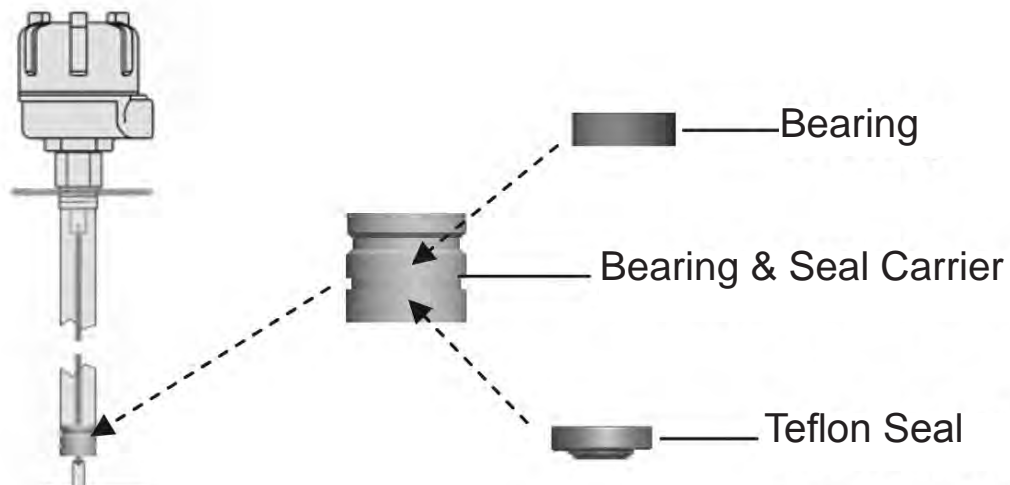
Bearing and Viton Seal at Tube End

The bearing and Viton seal are used to keep the shaft centered and turning without restraint when mounting from the top of a vessel at an angle, or horizontally. It also seals the shaft guard so no material can be forced up into the pipe. The bearing and Viton seal can operate in temperatures up to 500°F (260°C).



Bearing and Teflon Seal at Tube End

The bearing and Teflon seal are used to keep the shaft centered and turning without restraint when mounting from the top of a vessel at an angle, or horizontally. It also seals the shaft guard so no material can be forced up into the pipe. The bearing and Teflon seal can operate in temperatures up to 500°F (260°C).



Configure Horizontal Extended Rotary

1. Power Pac

BMRX 115
 BMRX 230
 BMRX 24 AC
 BMRX 24 DC
 MAX+ AC
 MAX+ 24 DC

2. ATEX

EX
 NO

3. Horizontal Extension

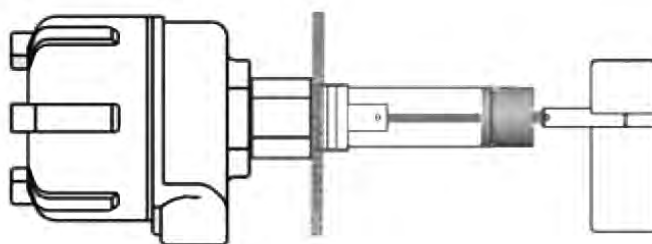
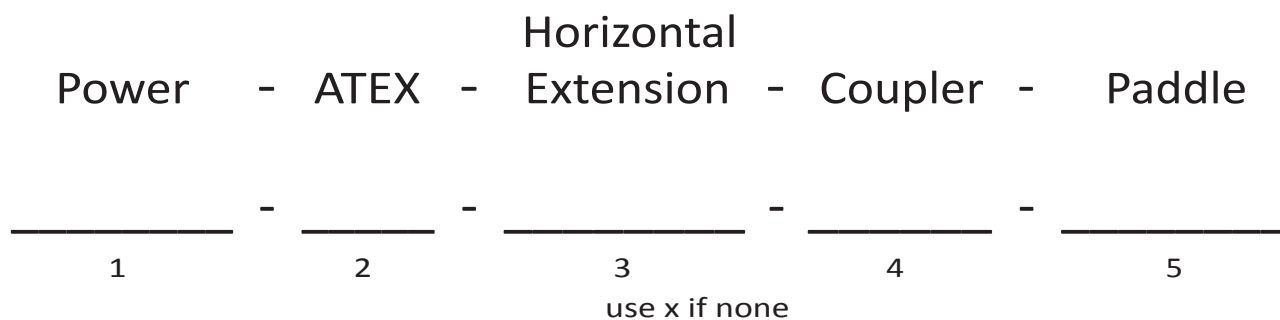
G1: 4" & 1-1/4" NPT
 G2: 4" & 1-1/2" NPT
 G3: 6" & 1-1/4" NPT
 G4: 6" & 1-1/2" NPT
 G5: 8" & 1-1/4" NPT
 G6: 8" & 1-1/2" NPT
 G7: 10" & 1-1/4" NPT
 G8: 10" & 1-1/2" NPT
 G9: 12" & 1-1/4" NPT
 G10: 12" & 1-1/2" NPT

4. Coupler

S1: GRSS-1

5. Paddles

R3: GRP-1
 R4: GRP-2
 R5: GRP-3
 R1: GRP-11
 R2: GRP-12
 R6: GRP-22
 R7: GRP-23
 R8: GRP-24
 R9: GRP-25
 R10: GRP-26
 R11: GRP-27
 R12: GRP-28
 R13: GRP-29
 R14: GRP-30
 R15: GRP-31
 R16: GRP-34
 R17: GRP-35
 R18: GRP-36
 R19: GRP-37



Options

Relays (MAX+ only)

SSR-1: 250 VAC
 SSR-2: 60 VDC

Side Mounting Plates

H1: GRMP-1
 H2: GRMP-3

Order Code	Description	List Price	Part Number
BMRX Power Pacs Ordered with Horizontal Extensions			
E-BMRX 115	E-BMRX-115-VAC - Rotary level indicator power pac featuring a triple-thread, screw-off cover, dual conduit entries, DPDT relay contacts, selectable fail-safe protection, FDA recognized powder coat finish, hazardous location approval, and C/US listed for Class I, Groups C & D and Class II, Groups E, F & G.	Call for Price	730-5096
E-BMRX 230	E-BMRX-230-VAC - Rotary level indicator power pac featuring a triple-thread, screw-off cover, dual conduit entries, DPDT relay contacts, selectable fail-safe protection, FDA recognized powder coat finish, hazardous location approval, and C/US listed for Class I, Groups C & D and Class II, Groups E, F & G.	Call for Price	730-5097
E-BMRX 24 AC	E-BMRX-24-VAC - Rotary level indicator power pac featuring a triple-thread, screw-off cover, dual conduit entries, DPDT relay contacts, selectable fail-safe protection, FDA recognized powder coat finish, hazardous location approval, and C/US listed for Class I, Groups C & D and Class II, Groups E, F & G.	Call for Price	730-5098
E-BMRX 24 DC	E-BMRX-24DC - BMRX rotary level indicator 12 to 24 VDC with dual conduit entries, DPDT relay contacts, selectable fail-safe protection, and FDA recognized powder coat finish, hazardous location approval, and C/US listed for Class I, Groups C & D and Class II, Groups E, F & G.	Call for Price	730-5166
BMRX ATEX Option			
EX	To add the ATEX option, select the BMRX power pac part number and add -EX to the end.		
MAXIMA+ Power Pacs Ordered with Horizontal Extensions			
E-MAXIMA+ AC	E-MAXIMA+24/115/230-VAC - Fail-safe rotary level indicator power pac with hazardous location approval, C/US listed for Class II, Groups E, F, & G and a visual LED status light monitoring paddle rotation, paddle covered, and fault conditions. Features a triple-thread, screw-off cover, dual conduit entries, DPDT relay contacts, fail-safe protection, SPDT normal and fault relay contact and FDA recognized powder coat finish.	Call for Price	730-5101
E-MAXIMA+ 24 DC	E-MAXIMA+24DC - MAXIMA+ rotary level indicator 12 to 24 VDC with dual conduit entries, DPDT relay contacts, selectable fail-safe protection, and FDA recognized powder coat finish, hazardous location approval, and C/US listed for Class I, Groups C & D and Class II, Groups E, F & G.	Call for Price	730-5167
MAXIMA+ ATEX Option			
EX	To add the ATEX option, select the MAXIMA+ power pac part number and add -EX to the end.		
MAXIMA+ Solid State Relay Options			
SSR-1	1 Amp 250 VAC solid state status relay option for pulse mode operation	Call for Price	356-0010
SSR-2	1 Amp 60 VDC solid state status relay option for pulse mode operation	Call for Price	356-0011
BMRX & MAXIMA+ SS Process Connection & Seal / Bearing Carrier			
SSPC-1	1-1/4" NPT Stainless steel process connection and seal bearing carrier	Call for Price	416-0547
SSPC-2	1-1/2" NPT Stainless steel process connection and seal bearing carrier	Call for Price	416-0548
SS Horizontal Shaft Guard, Drive Shaft, & Process Connection			
G1	4" (101.6 mm) extension length with 1" diameter schedule 40 T-304 SS external shaft guard, 3/8" diameter SS internal drive shaft, 1-1/4" NPT SS process connection, with seal and bearing at tube end	Call for Price	416-0612
G2	4" (101.6 mm) extension length with 1" diameter schedule 40 T-304 SS external shaft guard, 3/8" diameter SS internal drive shaft, 1-1/2" NPT SS process connection, with seal and bearing at tube end	Call for Price	416-0618
G3	6" (152 mm) extension length with 1" diameter schedule 40 T-304 SS external shaft guard, 3/8" diameter SS internal drive shaft, 1-1/4" NPT SS process connection, with seal and bearing at tube end	Call for Price	416-0496
G4	6" (152 mm) extension length with 1" diameter schedule 40 T-304 SS external shaft guard, 3/8" diameter SS internal drive shaft, 1-1/2" NPT SS process connection, with seal and bearing at tube end	Call for Price	416-0497
G5	8" (203 mm) extension length with 1" diameter schedule 40 T-304 SS external shaft guard, 3/8" diameter SS internal drive shaft, 1-1/4" NPT SS process connection, with seal and bearing at tube end	Call for Price	416-0498
G6	8" (203 mm) extension length with 1" diameter schedule 40 T-304 SS external shaft guard, 3/8" diameter SS internal drive shaft, 1-1/2" NPT SS process connection, with seal and bearing at tube end	Call for Price	416-0499
G7	10" (254 mm) extension length with 1" diameter schedule 40 T-304 SS external shaft guard, 3/8" diameter SS internal drive shaft, 1-1/4" NPT SS process connection, with seal and bearing at tube end	Call for Price	416-0500

Order Code	Description	List Price	Part Number
SS Horizontal Shaft Guard, Drive Shaft, & Process Connection			
G8	10" (254 mm) extension length with 1" diameter schedule 40 T-304 SS external shaft guard, 3/8" diameter SS internal drive shaft, 1-1/2" NPT SS process connection, with seal and bearing at tube end	Call for Price	416-0501
G9	12" (305 mm) extension length with 1" diameter schedule 40 T-304 SS external shaft guard, 3/8" diameter SS internal drive shaft, 1-1/4" NPT SS process connection, with seal and bearing at tube end	Call for Price	416-0502
G10	12" (305 mm) extension length with 1" diameter schedule 40 T-304 SS external shaft guard, 3/8" diameter SS internal drive shaft, 1-1/2" NPT SS process connection, with seal and bearing at tube end	Call for Price	416-0503
Rotary Paddles Ordered with Extensions			
R1	GRP-11 - High strength nylon paddle for lightweight materials, triple-bladed paddle turns in a 7" diameter, blades are 2" wide	Call for Price	299-0009
R2	GRP-12 - High strength nylon paddle for average weight materials, triple-bladed paddle turns in a 5" diameter	Call for Price	299-0010
R3	GRP-1 - Triple-bladed, stainless steel paddle for light weight materials, paddle turns in a 7" diameter, blades are 2" wide	Call for Price	416-0161
R4	GRP-2 - Triple-bladed, stainless steel paddle for average weight materials, paddle turns in a 5" diameter, blades are 1-1/2" wide	Call for Price	416-0152
R5	GRP-3 - Single-blade, stainless steel paddle for average to heavy weight materials, paddle is 2-1/2" long and turns in a 5" diameter, insertable paddle blade is 1/8" thick and 1" wide	Call for Price	416-0153
R6	GRP-22 - Triple-bladed, stainless steel paddle for average to heavy weight materials, turns in a 5" diameter, paddle blades are 1/8" thick and 1" wide	Call for Price	416-0160
R7	GRP-23 - Single bayonet blade, stainless steel paddle for high level control in light and medium materials and low level control in light materials, insertable paddle blade is 1/8" thick and 1" wide	Call for Price	416-0154
R8	GRP-24 - 12" Belt paddle for high level control in heavy materials with large particle size	Call for Price	416-0259
R9	GRP-25 - Triple-bladed, stainless steel paddle for very light materials, paddle turns in a 5" diameter, blades are 5" tall and 1/16" thick	Call for Price	416-0261
R10	GRP-26 - Triple-bladed, stainless steel paddle for light weight materials, paddle turns in a 7" diameter, blades are 2" wide, direct connect paddle that eliminates the need for GRSS-1 coupler	Call for Price	416-0265
R11	GRP-27 - Single bayonet blade, stainless steel paddle for high level control in light and medium materials and low level control in light materials, insertable paddle blade is 1/8" thick and 1" wide, direct connect paddle that eliminates the need for GRSS-1 coupler	Call for Price	416-0266
R12	GRP-28 - Triple-bladed, stainless steel paddle for extremely light materials, paddle turns in a 7" diameter, blades are 5" tall and 1/16" thick	Call for Price	416-0336
R13	GRP-29 - Triple-bladed, stainless steel paddle for very light materials, paddle turns in a 5" diameter, blades are 5" tall and 1/16" thick, direct connect paddle that eliminates the need for GRSS-1 coupler	Call for Price	416-0430
R14	GRP-30 - Triple-bladed, stainless steel paddle for average weight materials, paddle turns in a 5" diameter, blades are 1-1/2" wide, direct connect paddle that eliminates the need for GRSS-1 coupler	Call for Price	416-0100
R15	GRP-31 - Single-bladed, stainless steel paddle for medium to heavy materials, paddle turns in a 6.5" diameter, blade is 3.25" long, 1.63" wide and 1/8" thick	Call for Price	416-0487
R16	GRP-34 - Folding, single-bladed, insertable paddle for medium materials will fold to insert through a 1-1/4" or 1-1/2" process connection, turns in a 7.5" diameter, blades are 1-1/2" wide, direct connect paddle that eliminates the need for GRSS-1 coupler	Call for Price	416-0513
R17	GRP-35 - Folding, double-bladed, insertable paddle for medium materials will fold to insert through a 1-1/4" or 1-1/2" process connection, turns in a 7.5" diameter, blades are 1-1/2" wide, direct connect paddle that eliminates the need for GRSS-1 coupler	Call for Price	416-0514
R18	GRP-36 - Threaded, folding, single-bladed, insertable paddle for medium materials will fold to insert through a 1-1/4" or 1-1/2" process connection, turns in a 7.5" diameter, blades are 1-1/2" wide, for use with standard threaded coupler	Call for Price	416-0556
R19	GRP-37 - Threaded, folding, double-bladed, insertable paddle for medium materials will fold to insert through a 1-1/4" or 1-1/2" process connection, turns in a 7.5" diameter, blades are 1-1/2" wide, for use with standard threaded coupler	Call for Prices	416-0557
Side Mount Shaft Coupler Ordered with Extensions			
S1	GRSS-1 - Solid shaft, stainless steel side mount coupler	Call for Price	299-0004
Side Mounting Plates Ordered with Extensions			
H1	GRMP-1 0° Mild carbon steel half coupling with black neoprene gasket	Call for Price	730-0020
H2	GRMP-3 0° Stainless steel half coupling mounting plate with black neoprene gasket	Call for Price	730-0021

Configure Vertical Extended Rotary

Power - ATEX - Ver - Ext - Guard - Paddle - Coupler - Mounting - Tube - Length - Heat

1 - 2 - 3 - 4 - 5 - 6 - 7 - 8 - 9

(in inches)

1. Power Pac

E-BMRX 115
E-BMRX 230
E-BMRX 24 AC
E-BMRX 24 DC
E-MAX+ AC
E-MAX+ 24 DC

2. ATEX

EX
NO

3. Vertical Extension

E3: Alum. Ext.
E2: SS Ext.

4. Guards

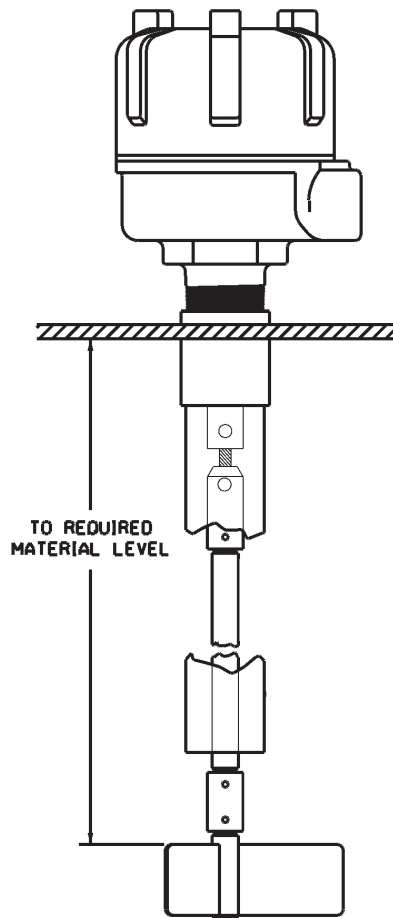
Guard No Seal or Bearing

G11: Alum. Guard 1-1/4" NPT
G12: Alum. Guard 1-1/2" NPT
G13: SS Guard 1-1/4" NPT
G14: SS Guard 1-1/2" NPT

Guard with Seal and Bearing

G15: Alum. Guard 1-1/4" NPT
G16: Alum. Guard 1-1/2" NPT
G17: SS Guard 1-1/4" NPT
G18: SS Guard 1-1/2" NPT

use x if none



5. Paddles

R3: GRP-1
R4: GRP-2
R5: GRP-3
R1: GRP-11
R2: GRP-12
R6: GRP-22
R7: GRP-23
R8: GRP-24
R9: GRP-25
R10: GRP-26
R11: GRP-27
R12: GRP-28
R13: GRP-29
R14: GRP-30
R15: GRP-31
R16: GRP-34
R17: GRP-35
R18: GRP-36
R19: GRP-37

6. Top Mount Couplers

S1: GRSS-1
S2: GRFC-1

7. Heat Tubes

T1: 6" Alum. 1-1/4"
T2: 6" Alum. 1-1/2"
T3: 6" SS 1-1/4"
T4: 6" SS 1-1/2"
T5: 8" Alum. 1-1/4"
T6: 8" Alum. 1-1/2"
T7: 6" SS 1-1/4"
T8: 6" SS 1-1/2"
T9: 6" Alum. 1-1/4"
T10: 6" Alum. 1-1/2"
T11: 6" SS 1-1/4"
T12: 6" SS 1-1/2"

Options

Relays (MAX+ only)

SSR-1: 250 VAC
SSR-2: 60 VDC

Coupler/Shaft Connector

1/4" Alum.
1/4" SS

Guard Connector

1" Alum.
1" SS

Order Code	Description	List Price	Part Number
BMRX Power Pacs Ordered with Vertical Extensions			
E-BMRX 115	E-BMRX-115-VAC - Rotary level indicator power pac featuring a triple-thread, screw-off cover, dual conduit entries, DPDT relay contacts, selectable fail-safe protection, FDA recognized powder coat finish, hazardous location approval, and C/US listed for Class I, Groups C & D and Class II, Groups E, F & G.	Call for Price	730-5096
E-BMRX 230	E-BMRX-230-VAC - Rotary level indicator power pac featuring a triple-thread, screw-off cover, dual conduit entries, DPDT relay contacts, selectable fail-safe protection, FDA recognized powder coat finish, hazardous location approval, and C/US listed for Class I, Groups C & D and Class II, Groups E, F & G.	Call for Price	730-5097
E-BMRX 24 AC	E-BMRX-24-VAC - Rotary level indicator power pac featuring a triple-thread, screw-off cover, dual conduit entries, DPDT relay contacts, selectable fail-safe protection, FDA recognized powder coat finish, hazardous location approval, and C/US listed for Class I, Groups C & D and Class II, Groups E, F & G.	Call for Price	730-5098
E-BMRX 24 DC	E-BMRX-24DC - BMRX rotary level indicator 12 to 24 VDC with dual conduit entries, DPDT relay contacts, selectable fail-safe protection, and FDA recognized powder coat finish, hazardous location approval, and C/US listed for Class I, Groups C & D and Class II, Groups E, F & G.	Call for Price	730-5166
BMRX ATEX Option			
EX	To add the ATEX option, select the BMRX power pac part number and add -EX to the end.		
MAXIMA+ Power Pacs Ordered with Vertical Extensions			
E-MAXIMA+ AC	E-MAXIMA+24/115/230-VAC - Fail-safe rotary level indicator power pac with hazardous location approval, C/US listed for Class II, Groups E, F, & G and a visual LED status light monitoring paddle rotation, paddle covered, and fault conditions. Features a triple-thread, screw-off cover, dual conduit entries, DPDT relay contacts, fail-safe protection, SPDT normal and fault relay contact and FDA recognized powder coat finish.	Call for Price	730-5101
E-MAXIMA+ 24 DC	E-MAXIMA+24DC - MAXIMA+ rotary level indicator 12 to 24 VDC with dual conduit entries, DPDT relay contacts, selectable fail-safe protection, and FDA recognized powder coat finish, hazardous location approval, and C/US listed for Class I, Groups C & D and Class II, Groups E, F & G.	Call for Price	730-5167
MAXIMA+ ATEX Option			
EX	To add the ATEX option, select the MAXIMA+ power pac part number and add -EX to the end.		
MAXIMA+ Solid State Relay Options			
SSR-1	1 Amp 250 VAC solid state status relay option for pulse mode operation	Call for Price	356-0010
SSR-2	1 Amp 60 VDC solid state status relay option for pulse mode operation	Call for Price	356-0011
BMRX & MAXIMA+ SS Process Connection & Seal / Bearing Carrier			
SSPC-1	1-1/4" NPT Stainless steel process connection and seal bearing carrier	Call for Price	416-0547
SSPC-2	1-1/2" NPT Stainless steel process connection and seal bearing carrier	Call for Price	416-0548

Order Code	Description	List Price	Part Number
Vertical Mounted Shaft Extension without Seal & Bearing at Tube End			
E3	Inches of Aluminum coupled vertical shaft extension with aluminum 1/4" diameter schedule 40 pipe with coupling to attach paddle. Custom total insertion length 12" to 144" (305 mm to 3,657 mm).	Call for Price	416-0504
E2	Inches of Stainless steel coupled vertical shaft extension with T-304 SS 1/4" diameter schedule 40 pipe with coupling to attach paddle. Custom total insertion length 12" to 144" (305 mm to 3,657 mm).	Call for Price	416-0495
Vertical Mounted Shaft Guard without Seal & Bearing at Tube End			
G11	Inches of Aluminum coupled vertical shaft guard with 1" diameter schedule 40 aluminum external shaft guard, 1-1/4" NPT aluminum process connection, without seal and bearing at tube end. Custom total insertion length 12" to 144" (305 mm to 3,657 mm).	Call for Price	416-0505
G12	Inches of Aluminum coupled vertical shaft guard with 1" diameter schedule 40 aluminum external shaft guard, 1-1/2" NPT aluminum process connection, without seal and bearing at tube end. Custom total insertion length 12" to 144" (305 mm to 3,657 mm).	Call for Price	416-0506
G13	Inches of Stainless steel coupled vertical shaft guard with 1" diameter schedule 40 SS external shaft guard, 1-1/4" NPT aluminum process connection, without seal and bearing at tube end. Custom total insertion length 12" to 144" (305 mm to 3,657 mm).	Call for Price	416-0507
G14	Inches of Stainless steel coupled vertical shaft guard with 1" diameter schedule 40 SS external shaft guard, 1-1/2" NPT aluminum process connection, without seal and bearing at tube end. Custom total insertion length 12" to 144" (305 mm to 3,657 mm).	Call for Price	416-0508
Vertical Mounted Shaft Guard with Seal & Bearing at Tube End			
G15	Inches of Aluminum coupled vertical shaft guard with 1" diameter schedule 40 aluminum external shaft guard, 3/8" diameter SS internal shaft drive, 1-1/4" NPT aluminum process connection, with seal and bearing at tube end. Custom total insertion length from 15" to 72" (381 mm to 1,829 mm).	Call for Price	416-0509
G16	Inches of Aluminum coupled vertical shaft guard with 1" diameter schedule 40 aluminum external shaft guard, 3/8" diameter SS internal shaft drive, 1-1/2" NPT aluminum process connection, with seal and bearing at tube end. Custom total insertion length from 15" to 72" (381 mm to 1,829 mm).	Call for Price	416-0510
G17	Inches of Stainless steel coupled vertical shaft guard with 1" diameter schedule 40 aluminum external shaft guard, 3/8" diameter SS internal shaft drive, 1-1/4" T-304 SS process connection, with seal and bearing at tube end. Custom total insertion length from 15" to 72" (381 mm to 1,829 mm).	Call for Price	416-0511
G18	Inches of Stainless steel coupled vertical shaft guard with 1" diameter schedule 40 aluminum external shaft guard, 3/8" diameter SS internal shaft drive, 1-1/2" T-304 SS process connection, with seal and bearing at tube end. Custom total insertion length from 15" to 72" (381 mm to 1,829 mm).	Call for Price	416-0512

Rotary Paddles Ordered with Extensions			
R1	GRP-11 - High strength nylon paddle for lightweight materials, triple-bladed paddle turns in a 7" diameter, blades are 2" wide	Call for Price	299-0009
R2	GRP-12 - High strength nylon paddle for average weight materials, triple-bladed paddle turns in a 5" diameter	Call for Price	299-0010
R3	GRP-1 - Triple-bladed, stainless steel paddle for light weight materials, paddle turns in a 7" diameter, blades are 2" wide	Call for Price	416-0161
R4	GRP-2 - Triple-bladed, stainless steel paddle for average weight materials, paddle turns in a 5" diameter, blades are 1-1/2" wide	Call for Price	416-0152
R5	GRP-3 - Single-blade, stainless steel paddle for average to heavy weight materials, paddle is 2-1/2" long and turns in a 5" diameter, insertable paddle blade is 1/8" thick and 1" wide	Call for Price	416-0153
R6	GRP-22 - Triple-bladed, stainless steel paddle for average to heavy weight materials, turns in a 5" diameter, paddle blades are 1/8" thick and 1" wide	Call for Price	416-0160
R7	GRP-23 - Single bayonet blade, stainless steel paddle for high level control in light and medium materials and low level control in light materials, insertable paddle blade is 1/8" thick and 1" wide	Call for Price	416-0154
R8	GRP-24 - 12" Belt paddle for high level control in heavy materials with large particle size	Call for Price	416-0259
R9	GRP-25 - Triple-bladed, stainless steel paddle for very light materials, paddle turns in a 5" diameter, blades are 5" tall and 1/16" thick	Call for Price	416-0261
R10	GRP-26 - Triple-bladed, stainless steel paddle for light weight materials, paddle turns in a 7" diameter, blades are 2" wide, direct connect paddle that eliminates the need for GRSS-1 coupler	Call for Price	416-0265
R11	GRP-27 - Single bayonet blade, stainless steel paddle for high level control in light and medium materials and low level control in light materials, insertable paddle blade is 1/8" thick and 1" wide, direct connect paddle that eliminates the need for GRSS-1 coupler	Call for Price	416-0266
R12	GRP-28 - Triple-bladed, stainless steel paddle for extremely light materials, paddle turns in a 7" diameter, blades are 5" tall and 1/16" thick	Call for Price	416-0336
R13	GRP-29 - Triple-bladed, stainless steel paddle for very light materials, paddle turns in a 5" diameter, blades are 5" tall and 1/16" thick, direct connect paddle that eliminates the need for GRSS-1 coupler	Call for Price	416-0430
R14	GRP-30 - Triple-bladed, stainless steel paddle for average weight materials, paddle turns in a 5" diameter, blades are 1-1/2" wide, direct connect paddle that eliminates the need for GRSS-1 coupler	Call for Price	416-0100
R15	GRP-31 - Single-bladed, stainless steel paddle for medium to heavy materials, paddle turns in a 6.5" diameter, blade is 3.25" long, 1.63" wide and 1/8" thick	Call for Price	416-0487
R16	GRP-34 - Folding, single-bladed, insertable paddle for medium materials will fold to insert through a 1-1/4" or 1-1/2" process connection, turns in a 7.5" diameter, blades are 1-1/2" wide, direct connect paddle that eliminates the need for GRSS-1 coupler	Call for Price	416-0513
R17	GRP-35 - Folding, double-bladed, insertable paddle for medium materials will fold to insert through a 1-1/4" or 1-1/2" process connection, turns in a 7.5" diameter, blades are 1-1/2" wide, direct connect paddle that eliminates the need for GRSS-1 coupler	Call for Price	416-0514
R18	GRP-36 - Threaded, folding, single-bladed, insertable paddle for medium materials will fold to insert through a 1-1/4" or 1-1/2" process connection, turns in a 7.5" diameter, blades are 1-1/2" wide, for use with standard threaded coupler	Call for Price	416-0556
R19	GRP-37 - Threaded, folding, double-bladed, insertable paddle for medium materials will fold to insert through a 1-1/4" or 1-1/2" process connection, turns in a 7.5" diameter, blades are 1-1/2" wide, for use with standard threaded coupler	Call for Price	416-0557

Order Code	Description	List Price	Part Number
Top Mount Shaft Coupler Ordered with Extensions			
S1	GRSS-1 - Solid shaft, stainless steel side mount coupler	Call for Price	299-0004
S2	GRFC-1 - Flexible stainless steel top mount coupler	Call for Price	416-0155
Heat Tubes Ordered with Extensions			
T1	6" (152 mm) Aluminum heat tube with 1-1/4" NPT SS process connection	Call for Price	416-0614
T2	6" (152 mm) Aluminum heat tube with 1-1/2" NPT SS process connection	Call for Price	416-0616
T3	6" (152 mm) Stainless steel heat tube with 1-1/4" NPT SS process connection	Call for Price	416-0613
T4	6" (152 mm) Stainless steel heat tube with 1-1/2" NPT SS process connection	Call for Price	416-0617
T5	8" (203 mm) Aluminum heat tube with 1-1/4" NPT SS process connection	Call for Price	416-0515
T6	8" (203 mm) Aluminum heat tube with 1-1/2" NPT SS process connection	Call for Price	416-0516
T7	8" (203 mm) Stainless steel heat tube with 1-1/4" NPT SS process connection	Call for Price	416-0517
T8	8" (203 mm) Stainless steel heat tube with 1-1/2" NPT SS process connection	Call for Price	416-0518
T9	12" (305 mm) Aluminum heat tube with 1-1/4" NPT SS process connection	Call for Price	416-0519
T10	12" (305 mm) Aluminum heat tube with 1-1/2" NPT SS process connection	Call for Price	416-0520
T11	12" (305 mm) Stainless steel heat tube with 1-1/4" NPT SS process connection	Call for Price	416-0521
T12	12" (305 mm) Stainless steel heat tube with 1-1/2" NPT SS process connection	Call for Price	416-0522
Rotary Coupler/Shaft Connectors			
	1/4" Aluminum NPT female coupler to attach paddle to shaft extensions or shaft extensions together	Call for Price	201-9028
	1/4" SS NPT female coupler to attach paddle to shaft extensions or shaft extensions together	Call for Price	201-9029
Rotary Guard Connectors			
	1" Aluminum NPT female coupler to attach shaft guards together	Call for Price	201-9034
	1" SS NPT female coupler to attach shaft guards together	Call for Price	201-9035

Order Code	Description	List Price	Part Number
Mini-Rotary Complete Units			
MR-G-110	MR-G-110 - Mini-Rotary with 4-vane, polycarbonate paddle, complete with SPDT contacts	Call for Price	730-0350
MR-G-220	MR-G-220 - Mini-Rotary with 4-vane, polycarbonate paddle, complete with SPDT contacts	Call for Price	730-0352
MR-G-24	MR-G-24 - Mini-Rotary with 4-vane, polycarbonate paddle, complete with SPDT contacts	Call for Price	730-0392
MR-H-100	MR-H-110 - Mini-Rotary with insertable bayonet polycarbonate paddle, complete with SPDT contacts	Call for Price	730-0351
MR-H-220	MR-H-220 - Mini-Rotary with insertable bayonet polycarbonate paddle, complete with SPDT contacts	Call for Price	730-0353
MR-I-100	MR-I-110 - Mini-Rotary with single-vane, stainless steel rectangular paddle, complete with SPDT contacts	Call for Price	730-0354
MR-I-220	MR-I-220 - Mini-Rotary with single-vane, stainless steel rectangular paddle, complete with SPDT contacts	Call for Price	730-0355
Mini-Rotary Paddles & Accessories			
G	Mini-Rotary 4-vane, polycarbonate paddle turns in a 3.2" diameter, paddle blades are 1.25" wide	Call for Price	299-0619
H	Mini-Rotary insertable bayonet polycarbonate paddle, turns in a 5" diameter	Call for Price	299-0620
I	Mini-Rotary single-vane, stainless steel rectangular paddle turns in a 4" diameter, paddle blades are 1.2" wide	Call for Price	299-0624