

Thermometers

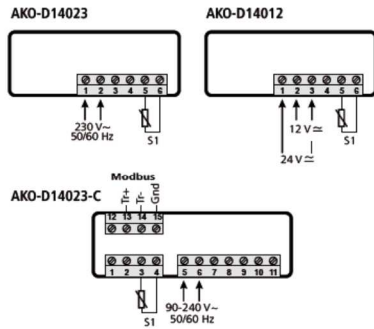
Range from -50 °C to +150 °C, panel mounting



Temperature display

Temperature display in °C or °F with decimal point. NTC/PTC probe selectable by programme. Allows probe calibration. A single button for adjusting parameters. The AKO-14023-C model has integrated RS-485 communication.

Application: Industrial and commercial refrigeration, displays, incubators, vehicles



- NTC probe temperature range -50°C to + 99.9 °C
- PTC probe temperature range -50 °C to +150 °C
- 3-digit display (°C/°F)
- Resolution 0,1 °C
- Accuracy ±1 °C
- Panel cut-out dimensions 71 x 29 mm
- Front panel dimensions 79 x 38 mm
- Depth 43 mm (AKO-D14012 y AKO-D14023)
- Depth 61 mm (AKO-D14023-C)

Reference	Description	Family	Pack
AKO-D14012	12/24 V~, 1 NTC probe included	Standard Panel	12 Units
AKO-D14023	230 V~, 1 NTC probe included	Standard Panel	12 Units